

E-LAM

NEVER-TWIST[®]

Engineered Switch Structures

Horizontal Switch Structures

- Laminated Wood Structure Kits Complete with Steel Switch Platform
- Foundation Design Included
- Quick Delivery
- Simple Design & Installation

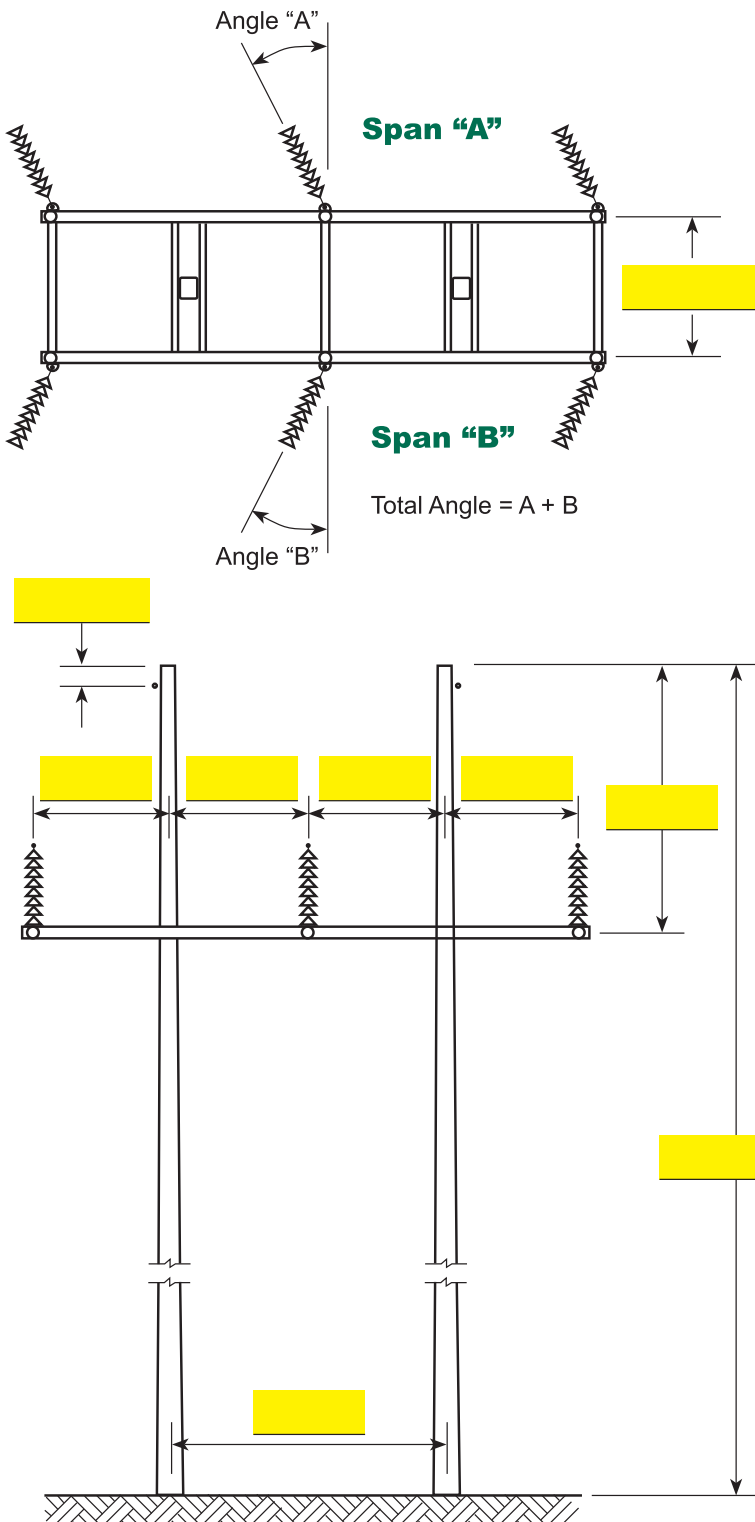



Proudly Made in
AMERICA

800-949-3526
www.lwsinc.com

LWS
Laminated Wood Systems, Inc.

Horizontal Switch Structure Information Worksheet



Use this form to provide LWS engineers information regarding your switch structure requirements. *Be sure to fill in all fields as this information is required to accurately specify the correct E-LAM[®] structure for your application.*

Shield Wire

Span "A"

Number of Shield Wires

Span

Wire

MDT

60° F

Line Angle

Span "B"

Number of Shield Wires

Span

Wire

MDT

60° F

Line Angle

Total Line Angle (A + B) =

Conductor

Span "A"

Number of Conductors

Span

Wire

MDT

60° F

Line Angle

Span "B"

Number of Conductors

Span

Wire

MDT

60° F

Line Angle

Total Line Angle (A + B) =

Voltage

Soil Type

Down Guys Yes No

Comments

Fax completed form to LWS at: **(402)643-4374**
OR complete online: www.lwsinc.com