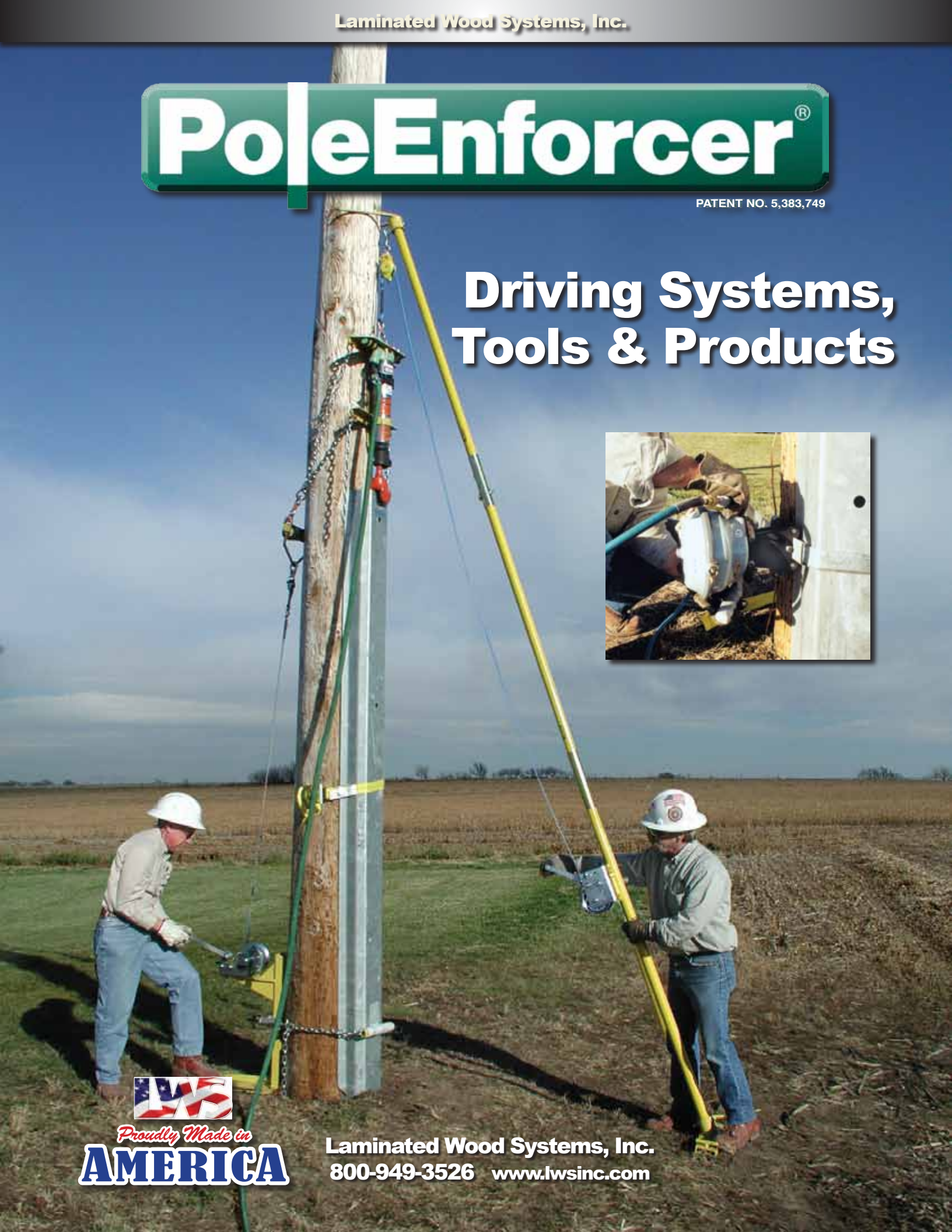


PoleEnforcer®

PATENT NO. 5,383,749

Driving Systems, Tools & Products



Proudly Made in
AMERICA

Laminated Wood Systems, Inc.
800-949-3526 www.lwsinc.com



PoleEnforcer®

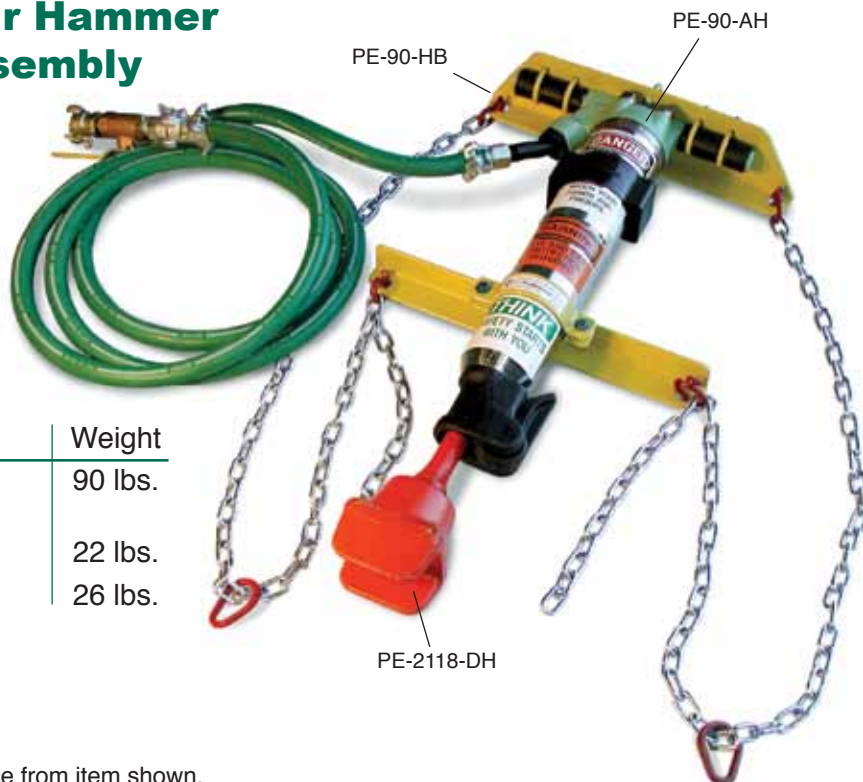
PATENT NO. 5,383,749

Pneumatic Driving System

The PE90PDS Pneumatic Driving System consists of the **PE-90-HHB-B-D Air Hammer & Bracket Assembly**, the **PE-90-WP Sectional Winch Pole Assembly** and the **PE-90-TWB Pull Down Winch Assembly**.

NOTE: All items included in the tool assemblies may also be ordered separately.

PE-90-HHB-B-D Air Hammer & Bracket Assembly



Part Number	Description	Weight
PE-90-AH	90 lb. Air Hammer w/ Hose & Valve	90 lbs.
PE-90-HB	Bracket & Chain Assy.	22 lbs.
PE-2118-DH	Driving Shank & Driver	26 lbs.

NOTE: Product shipped may vary in appearance from item shown.

PE-90-WP 18'-6" Sectional Winch Pole Assembly*

Part Number	Description	Weight
PE2-BSW	6' Fiberglass Base Section with W-2000 Winch & 35' of Navy Braid	20 lbs.
PE-2-CS	6' Fiberglass Center Section	9 lbs.
PE-2-TSY	6' Fiberglass Top Section with PE-PY Pole Yoke & Block Assembly	17 lbs.

*Other lengths available upon request
200 lb. maximum lifting load.



PE-90-TWB Pull Down Winch Assembly

Part Number	Description	Weight
PE-PDW	Bracket & W-3200 Winch Assembly	42 lbs.
PE-ACT	Adjustable Chain Tensioner	6 lbs.
PE-BR	Bridal Roller	4 lbs.
PE-TR	Tension Roller	4 lbs.

All items included in the tool assemblies may also be ordered separately.

NOTE: Product shipped may vary in appearance from item shown.



Complete Pneumatic Driving System Tool Package

The **PE90PDS** Pneumatic Driving System Tool Package includes everything needed to drive and band the PoleEnforcer® Groundline Reinforcement System.

The tool package includes:

- PE90HHB-B-D Air Hammer Assembly
- PE90WP Winch Pole Assembly
- PE90TWB Pull Down Winch Assembly
- DH1-2 Banding Dispenser
- PEAT2 Air Tensioner
- PEAS2 Air Crimp Sealer
- PEBS2 Manual Banding Shear
- PEFLR Filter Regulator Lubricator
- PE38AH25 (2 ea) 3/8" Tool Hose (25 ft. ea.)
- PE152RT Nylon Ratchet Securing Strap



Air Hammer Assy.



Winch Pole Assy.



Pull Down Winch Assy.



Air Tensioner



Banding Dispenser



Air Crimper



Manual Banding Shear



Filter / Regulator / Lubricator



Nylon Ratchet Strap

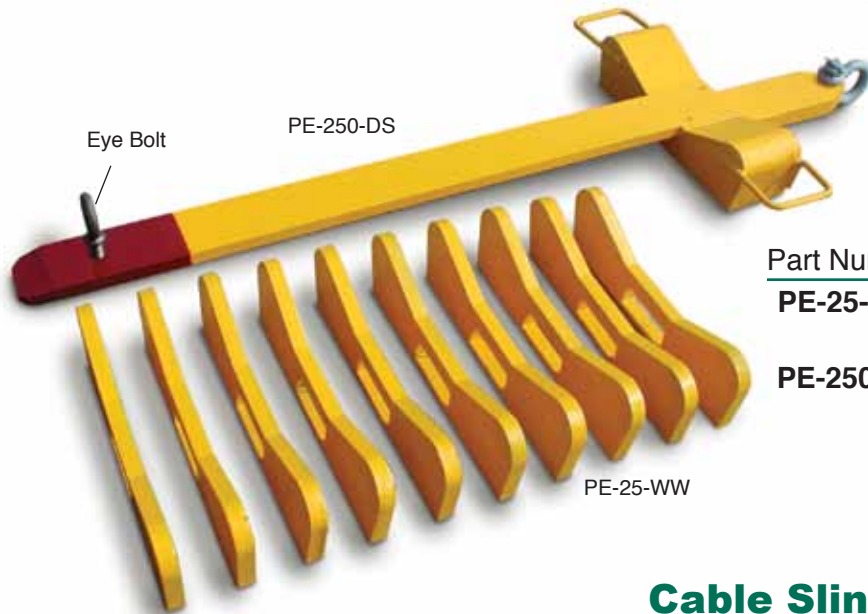


25' Tool Hose (2)



Drop Weight Driving System

The PE-500-DWS Drop Weight Driving System may be operated using either a truck mounted or pole mounted capstan hoist. The drop weight driving system is recommended for hard driving soil conditions. The optional **CS-2000 Choker Cable** and **DWB-2000 Snatch Block** have a 2,000 lb. capacity and are rated for use with this system.



PE-500-DWS Drop Weight System

Part Number	Description	Weight
PE-25-WW	25 lb. Wafer Weights (10 quantity)	25 lbs. each
PE-250-DS	Driving Shank w/ Shackle and Eye Bolt	250 lbs.

All items included in the tool assemblies may also be ordered separately.

NOTE: Product shipped may vary in appearance from item shown.

Cable Sling

Part Number	Description	Weight
CS-2000-5	5' Choker Cable Sling (2,000 lb. capacity)	4 lbs.



Snatch Block

Part Number	Description	Weight
DWB-2000	Snatch Block (2,000 lb. capacity)	16 lbs.





Banding and Sealing Tools



Manual Tensioner

Part Number	Description	Weight
PEMT-2P	2" Push Tensioner	8 lbs.



Air Tensioner

Part Number	Description	Weight
PEAT-2	2" Air Tensioner (push type)	9 lbs.



Manual Crimping Tool

Part Number	Description	Weight
PEMS-2	2" Manual Friction Crimp Sealer	17 lbs.



Air Crimping Tool

Part Number	Description	Weight
PEAS-2	2" Air Crimp Sealer	30 lbs.



Manual Banding Shear

Part Number	Description	Weight
PEBS-2	2" Manual Banding Shear	12 lbs.

For tool repair or tool repair parts contact LWS at 1-800-949-3526

NOTE: Product shipped may vary in appearance from item shown.



2" Banding Dispenser

Part Number	Description	Weight
DH1-2	2" Banding Dispenser	46 lbs.

NOTE: Banding sold separately.



2" Wide Galvanized Banding

Part Number	Description	Weight
PEB-2G-85	2" x .050" Steel Banding (approx. 280 ft.) 12,000 lbs. Ultimate tensile breaking strength.	95 lbs. per coil



Galvanized Seals

Part Number	Description	Weight
PEOS-2GL	2" x 4-1/4" Open Crimp Seal (250 per box)	50 lbs.



Safety Caps

Part Number	Description	Weight
PE-2-SC	Safety Cap w/ Nails (for 6" to 10" units)	1 lb.
PE-3-SC	Safety Cap w/ Nails (for 11" to 13" units)	1 lb.

NOTE: Product shipped may vary in appearance from item shown.

PoleEnforcer®

PATENT NO. 5,383,749

Installation Accessories



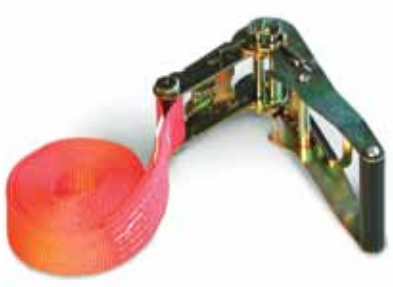
Filter - Regulator - Lubricator

Part Number	Description	Weight
PE-FRL	Filter - Regulator - Lubricator	6 lbs.

Some assembly required.

3/8" Tool Hose

Part Number	Description	Weight
PE-38-AH-25	25' Air Hose w/ Quick Connectors	8 lbs.

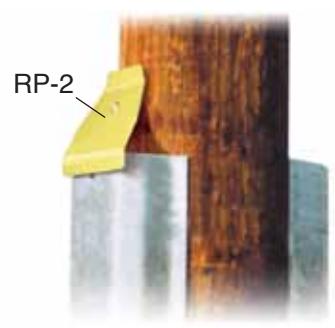
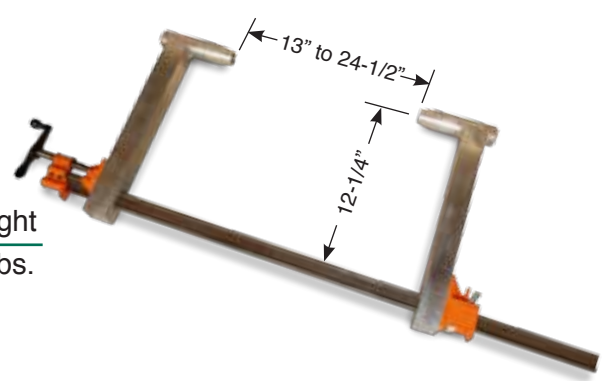


Nylon Securing Strap

Part Number	Description	Weight
PE-152-RT	10' x 2" Ratchet Tensioner	4 lbs.

Drilling Alignment Tool

Part Number	Description	Weight
PE-78-DJ	Drilling Alignment Tool	12 lbs.



Roller Plate

Part Number	Description	Weight
RP-2	Roller Plate (for use when installing double units)	6 lbs.

NOTE: Product shipped may vary in appearance from item shown.